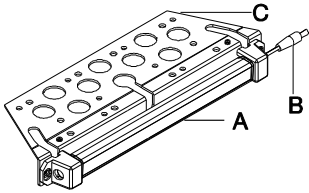


Use and Care Guide LOW VOLTAGE LED DECK LIGHT WITH HARDSCAPE ADAPTOR

PACKAGE CONTENTS



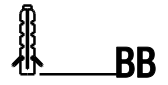
A - Deck Light x 1 C - Hardscape Adaptor x 1
B - Male Plug x 1 (with 36 in. wire)



D - Wire Connector (with 12 in. wire) x 1
E - Female Plug x 1



AA - Self-Threading
Screw (30 mm) x 2



BB - Plastic Anchor
(25 mm) x 2

Assembly and Installation

1 Preparing for installation

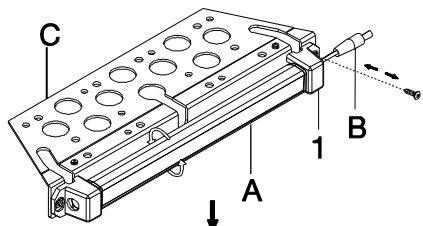


NOTE: The deck light (A) comes pre-attached to the hardscape adaptor (C). To use the deck light (A) without the hardscape adaptor (C), use a Phillips screwdriver to unscrew the 2 screws connecting the hardscape adaptor (C) to the deck light (A).

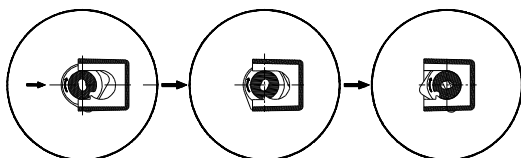
- Out of the box, the male plug (B) is routed through the side of the deck light (A). To use the male plug (B) through the front or rear of the deck light (A), do the following:
- Use a Phillips screwdriver (sold separately) to unscrew the screw connecting the foot base (1) at the end of the deck light (A) where the male plug (B) is located.
- Twist off the foot base (1) from the deck light (A).
- Depending on your installation, route the male plug (B) through the rear or the front groove of the foot base (1).
- After routing the male plug (B), twist the foot base (1) back onto the deck light (A). Use a Phillips screwdriver to reconnect the screw at the foot base (1) to the deck light (A).



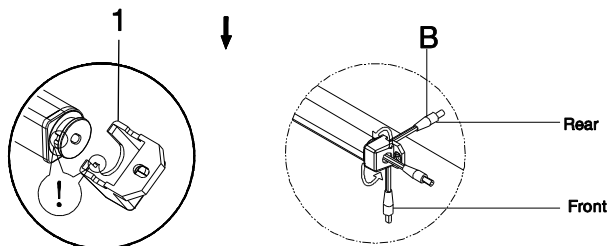
NOTE: Light projection can be adjusted by twisting the deck light (A) up or down 90 degrees.



Twist off the foot base from deck light



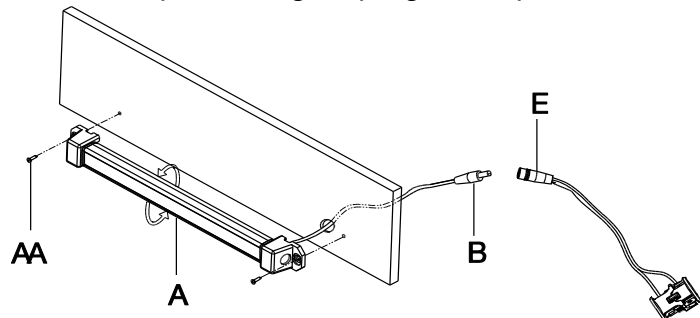
Twist the foot base into the deck light



2 Installing a single deck light (without the hardscape adaptor) on a wood surface

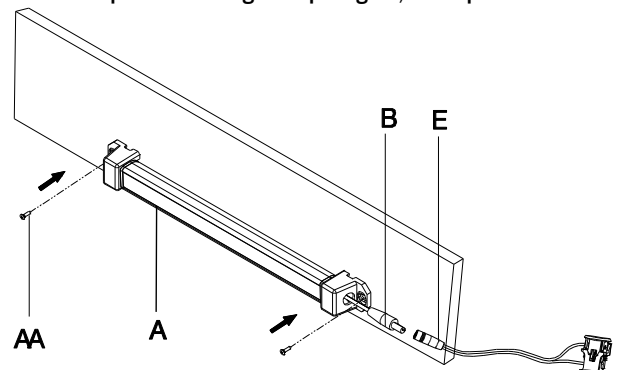
Deck light with wire behind the mounting surface:

- Use at least a 7/16 in. drill bit to drill a hole on the mounting surface large enough for the male plug (B) to pass through the hole on the mounting surface.
- Insert the male plug (B) through the hole on the mounting surface.
- Place the deck light (A) against the mounting surface.
- Use a Phillips screwdriver to screw the self-threading screws (AA) through the two holes on the deck light (A) to secure the deck light (A) to the mounting surface.
- Insert the male plug (B) into the female plug (E).
- Proceed to Step 6 if installing multiple lights, or Step 8.



Deck light with wire in front of or beside the mounting surface:

- Place the deck light (A) on the surface where you want it to be installed.
- Use a Phillips screwdriver to screw the self-threading screws (AA) through the two holes on the deck light (A) to the mounting surface.
- Insert the male plug (B) into the female plug (E).
- Proceed to Step 6 if installing multiple lights, or Step 8.

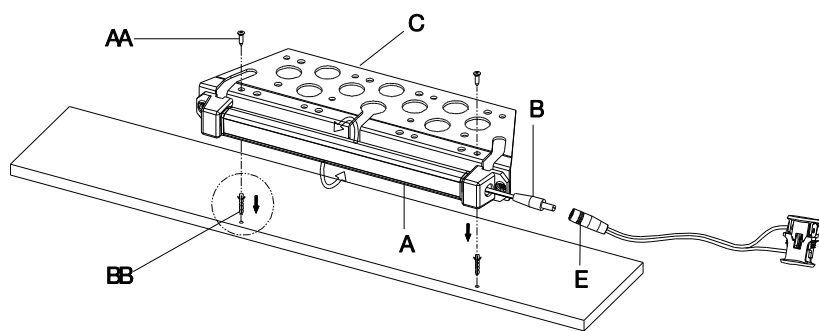


Assembly and Installation (continued)

3 Installing a single deck light (with or without the hardscape adaptor) on concrete, brick, or other non-wood surface

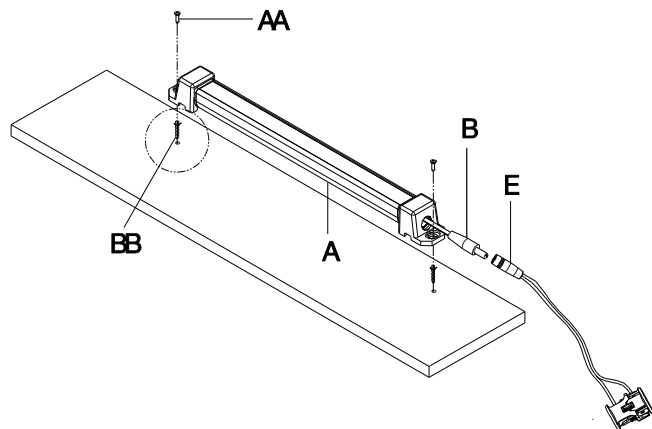
Deck light with hardscape adaptor:

- Place the hardscape adaptor (C) on the surface where you want it to be installed, and choose which two holes on the hardscape adaptor (C) best align with the installation location. Mark the location of the 2 holes, and remove the hardscape adaptor (C) from the surface.
- At those marks, use a 7/32 in. drill bit to drill two 30 mm. deep holes on the mounting surface.
- Push the plastic anchors (BB) into the two holes until the heads of the plastic anchors (BB) are flush with the mounting surface.
- Place the hardscape adaptor (C) on the surface, and secure it by screwing the two self-threading screws (AA) into the plastic anchors (BB).
- Insert the male plug (B) into the female plug (E).
- Proceed to Step 5 or 6 if installing multiple lights, or Step 8.



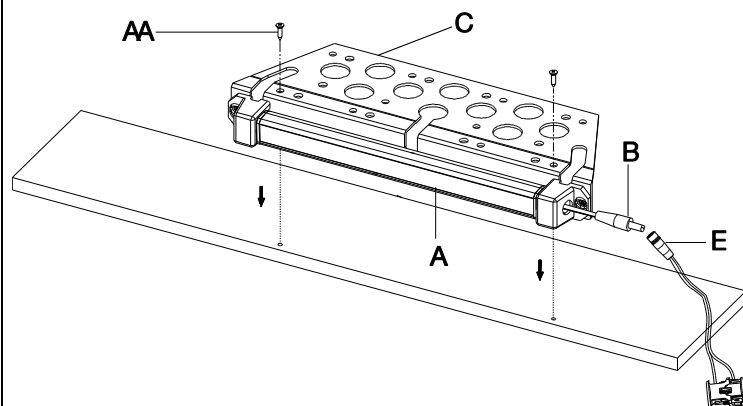
Deck light without hardscape adaptor:

- Place the deck light (A) on the surface where you want it to be installed, and mark the location of the 2 holes on the deck light (A). Remove the deck light (A) from the surface.
- At those marks, use a 7/32 in. drill bit to drill two 30 mm. deep holes on the mounting surface.
- Push the plastic anchors (BB) into the two holes until the heads of the plastic anchors (BB) are flush with the mounting surface.
- Place the deck light (A) on the surface, and secure it by screwing the two self-threading screws (AA) into the plastic anchors (BB).
- Insert the male plug (B) into the female plug (E).
- Proceed to Step 5 or 6 if installing multiple lights, or Step 8.



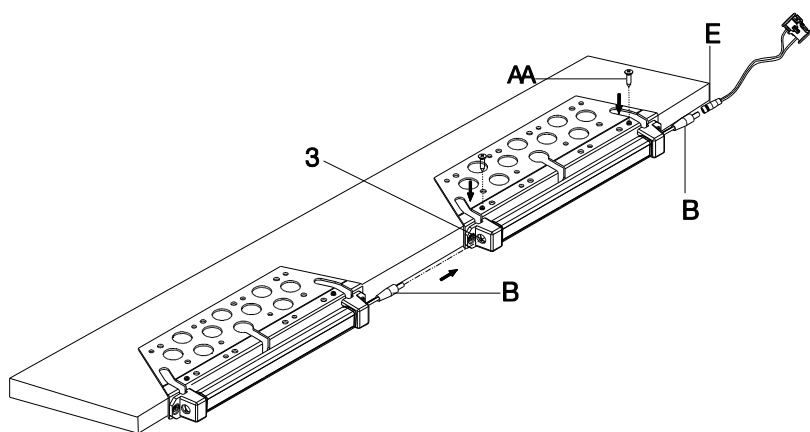
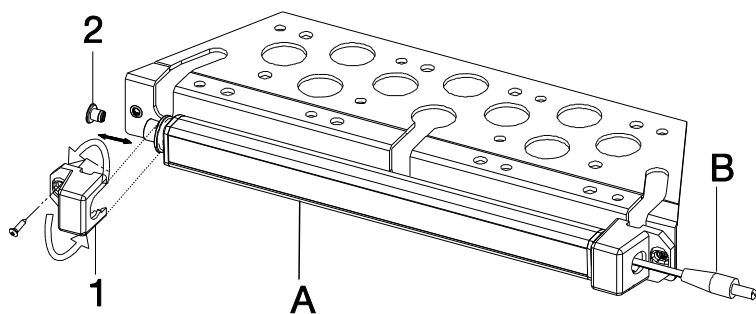
4 Installing a single deck light (with the hardscape adaptor) on a wood surface

- Place the hardscape adaptor (C) on the mounting surface and choose which two holes on the hardscape adaptor (C) best align with the installation location. Keep the deck light (A) attached to the hardscape adaptor (C).
- Use a Phillips screwdriver to screw the self-threading screws (AA) through the two best holes on the hardscape adaptor (C) to secure it onto the mounting surface.
- Insert the male plug (B) into the female plug (E).
- Proceed to Step 5 or 6 if installing multiple lights, or Step 8.



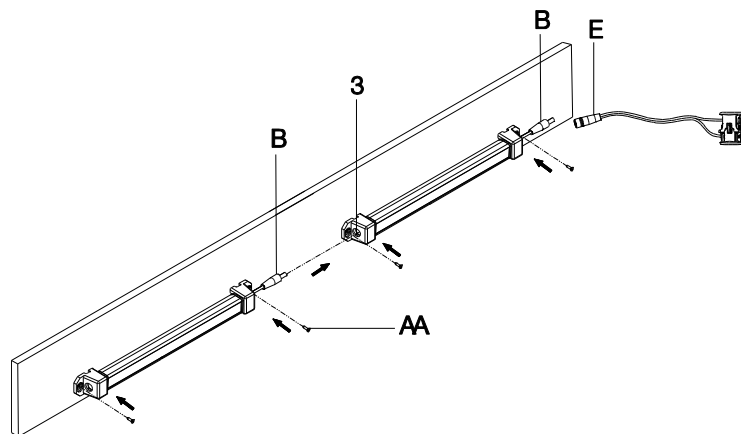
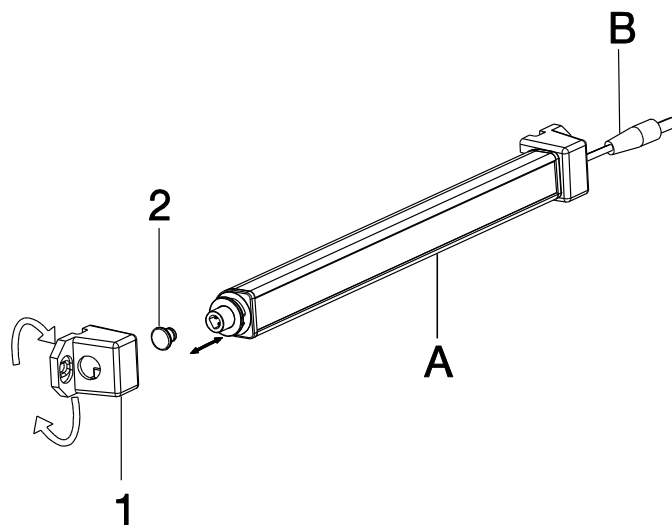
5 Connecting several deck lights with hardscape adaptor

- Use a Philips screwdriver to unscrew the screw connecting the foot base (1) at the opposite end of the deck light (A) where the male plug (B) is located. Twist off the foot base (1) from the deck light (A). Remove the plastic plug (2). Replace the foot base (1) and rescrew it into place. Repeat for all deck lights (A).
- Depending on your installation requirements, refer to Steps 3 or 4 for the installation of the individual fixtures.
- After installation of all deck lights (A) is completed, insert the male plug (B) on the second deck light into the electrical hole of the first deck light [which was previously covered by the plastic plug (2)]. Repeat to connect all of your deck lights (A) together in a daisy chain fashion. (You can connect up to 13 deck lights (A).)
- Insert the male plug (B) into the female plug (E).
- Proceed to Step 8.



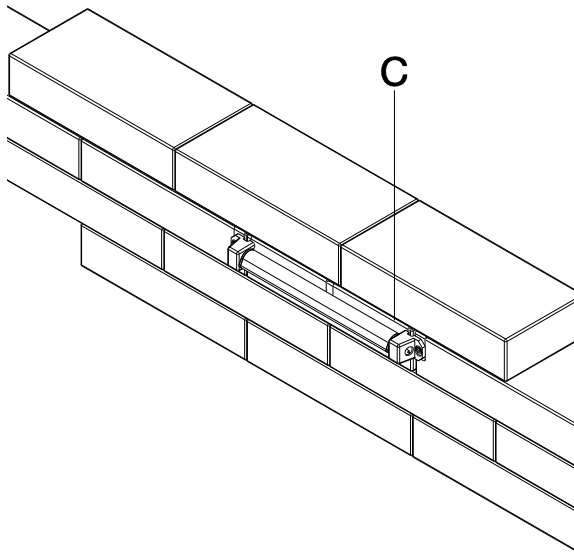
6 Connecting several deck lights without hardscape adaptor

- Twist off the foot base (1) from the deck light (A) at the opposite end of the deck light (A) where the male plug (B) is located. Remove the plastic plug (2). Replace the foot base (1). Repeat for all deck lights (A).
- Depending on your installation requirements, refer to Steps 2 or 3 for the installation of the individual fixtures.
- After installation of all deck lights (A) is completed, insert the male plug (B) on the electrical hole of the first deck light [which was previously covered by the plastic plug (2)]. Repeat to connect all of your deck lights (A) together in a daisy chain fashion. (You can connect up to 13 deck lights (A).)
- Insert the male plug (B) into the female plug (E).
- Proceed to Step 8.



7 Installing into a wall

- When the wall is being built, the hardscape adaptor (C) can be built into the wall as illustrated below.



8 Connecting the wires



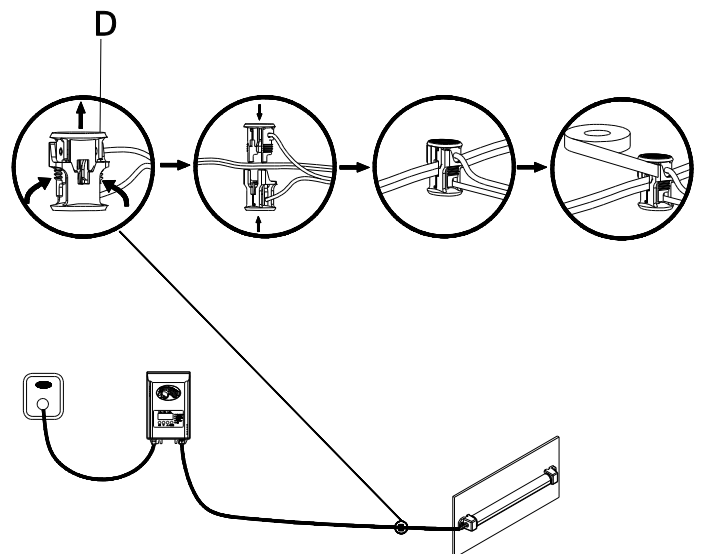
WARNING: The wire connector (D) contacts have sharp edges for piercing the main low voltage cable. To avoid injury, do not touch the metal contacts.



CAUTION: The wire from low voltage power unit should be 12-16 AWG type underground low Energy Circuit Cable.

IMPORTANT:

- Protect the wiring by routing it in close proximity to the light fitting, or next to a building structure such as a house or a deck.
 - The landscape wire and connector can also be hidden under stone or buried under grass at a maximum depth of 6 in. (15.24 cm).
 - Do not install the fixture within 10 ft. of a pool, spa, or fountain.
 - Do not submerge the fixture in water.
- Place the wire connector (D) on opposite sides of the low voltage cable (not included) from the transformer (not included) where the fixture will be located.
 - Align and fit the main low voltage cable vertically to the slot of the wire connector (D).
 - Press the wire connector (D) together until it is locked around the main low voltage cable. The pre-set prongs will pierce the cable insulation and establish contact with the electrical wire inside.
 - Once the wire connector (D) is in place, it is recommended to wrap it with electrical tape (not included).
 - After all fixtures are installed, turn on the transformer.



Care and Cleaning

- Clean the fixture with a soft dry cloth.
- Do not use any cleaners with chemicals, solvents or harsh abrasives.

Troubleshooting

Problem	Possible Cause	Solution
The fixture will not light.	<ul style="list-style-type: none"> <input type="checkbox"/> There is no power. <input type="checkbox"/> There is a disconnection or break in the wire. <input type="checkbox"/> The transformer setting is incorrect. 	<ul style="list-style-type: none"> <input type="checkbox"/> Check the outlet and ensure that a breaker or GFCI circuit has not been tripped. <input type="checkbox"/> Follow the wires from the fixture and ensure a continuous connected path back to the transformer. <input type="checkbox"/> Check the settings on the transformer.
The light flickers (one fixture).	<ul style="list-style-type: none"> <input type="checkbox"/> There is a loose wire connector to the fixture. 	<ul style="list-style-type: none"> <input type="checkbox"/> Tighten the wire connector and ensure the metal contacts pierce the insulation on the low voltage cable from the transformer.
The lights flicker (all fixtures).	<ul style="list-style-type: none"> <input type="checkbox"/> There is a loose connection at the transformer. 	<ul style="list-style-type: none"> <input type="checkbox"/> Unplug the transformer from the outlet and visually inspect the positive and negative connecting points. Each wire should be securely screwed in and not in contact with any other.

Warranty

WHAT IS COVERED

The manufacturer warrants this lighting fixture to be free from defects in materials and workmanship for a period of five (5) years from date of purchase. This warranty applies only to the original consumer and only to products used in normal use and service. If this product is found to be defective, the manufacturer's only obligation, and your exclusive remedy, is the repair or replacement of the product at the manufacturer's discretion, provided that the product has not been damaged through misuse, abuse, accident, modifications, alterations, neglect or mishandling.

WHAT IS NOT COVERED

This warranty shall not apply to any product that is found to have been improperly installed, set-up, or used in any way not in accordance with the instructions supplied with the product. This warranty shall not apply to a failure of the product as a result of an accident, misuse, abuse, negligence, alteration, or faulty installation, or any other failure not relating to faulty material or workmanship. This warranty shall not apply to the finish on any portion of the product, such as surface and/or weathering, as this is considered normal wear and tear.

The manufacturer does not warrant and specifically disclaims any warranty, whether express or implied, of fitness for a particular purpose, other than the warranty contained herein. The manufacturer specifically disclaims any liability and shall not be liable for any consequential or incidental loss or damage, including but not limited to any labor / expense costs involved in the replacement or repair of said product.

Contact the Customer Service Team at 1-855-HD-HAMPTON or visit HAMPTONBAY.COM.

Cable Selection

12 VOLT TAP	Cable Length			
	Total Fixture Wattage	0-50 feet	51-100 feet	101-150 feet
	0-60 Watts	16 AWG	16 AWG	14 AWG
	61-120 Watts	16 AWG	14 AWG	12 AWG
	121-180 Watts	14 AWG	12 AWG	Not Recommended
	181-240 Watts	14 AWG	12 AWG	Not Recommended
	241-300 Watts	12 AWG	Not Recommended	Not Recommended
	600W Transformer = (2x300) Watts	12 AWG	Not Recommended	Not Recommended
	900W Transformer = (3x300) Watts	12 AWG	Not Recommended	Not Recommended

15 VOLT TAP	Cable Length			
	Total Fixture Wattage	0-50 feet	51-100 feet	101-150 feet
	0-60 Watts	16 AWG*	16 AWG	16 AWG
	61-120 Watts	16 AWG*	16 AWG	12 AWG
	121-180 Watts	14 AWG*	14 AWG	12 AWG
	181-240 Watts	14 AWG*	14 AWG	12 AWG
	241-300 Watts	12 AWG*	12 AWG	Not Recommended
	600W Transformer = (2x300) Watts	12 AWG*	12 AWG	Not Recommended
	900W Transformer = (3x300) Watts	12 AWG*	12 AWG	Not Recommended

* NOT RECOMMENDED FOR HALOGEN LANDSCAPE LIGHTS

This data is provided as a general guideline. Actual performance will depend on the installation layout, the fixtures, and the condition of the cable.



NOTE: Most LED landscape lighting fixtures can operate with full illumination from 9V down to as little as 6V. It is possible to have extended length runs with LED fixtures that go beyond the specifications shown in the guidelines above.