

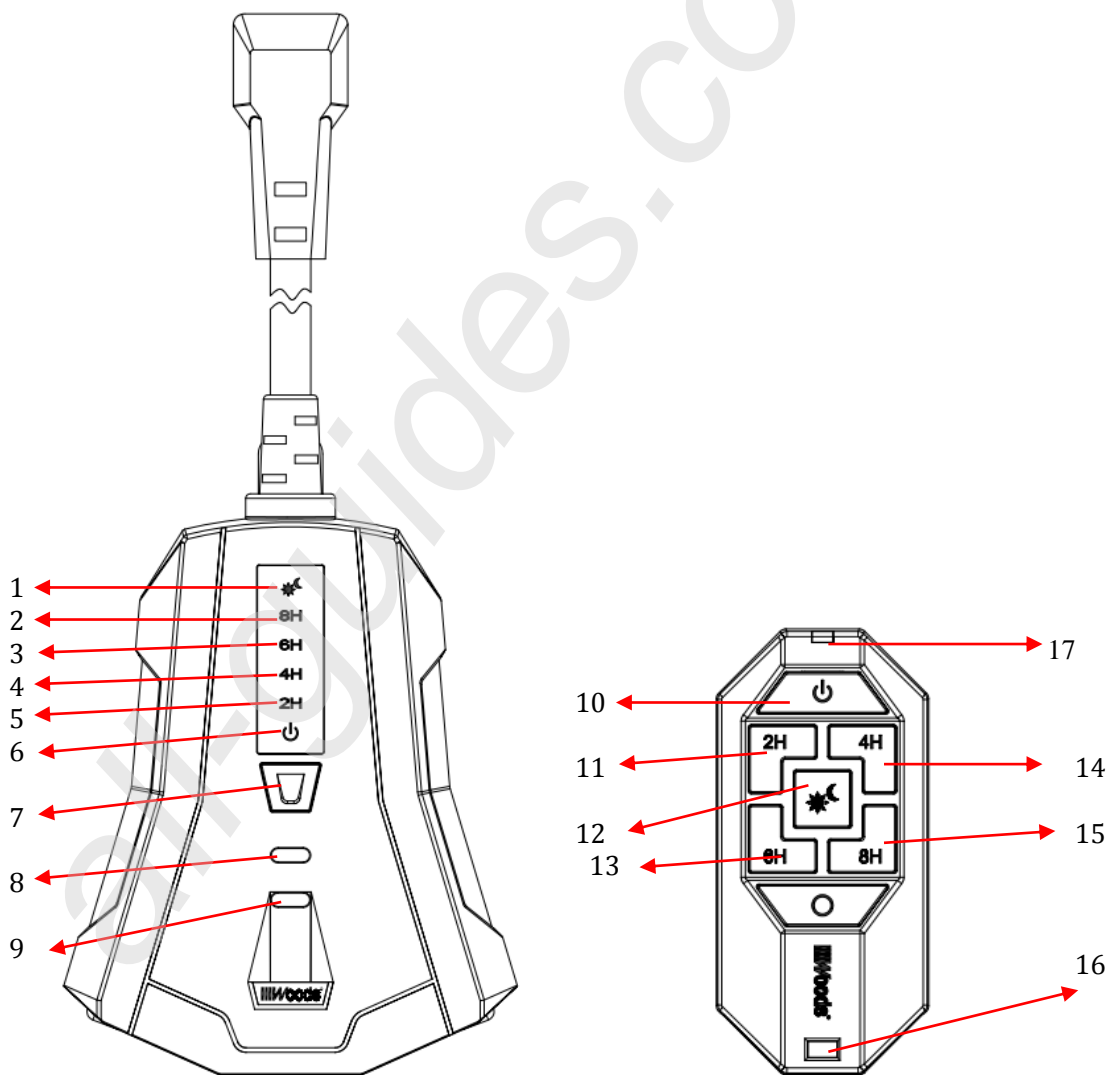
Manual

50126 & 50126-R: WIRELESS REMOTE CONTROL DUAL OUTLETS

A. Function

1. Perfect for landscape, holiday and security lighting.
2. For both outdoor and indoor use
3. Remote distance: 100ft
4. One 12V, CR2032 battery included (transmitter).
5. One transmitter can control two or more receivers, while one receiver can be controlled by Max. 5 transmitters
6. Receiver can be ON/OFF, photocell, countdown by the manual button(No.7)
7. Indicate light has been includes both in the transmitter and receiver

B. Structure



| Number | Name | Function |
|--------|-----------------------|--|
| 1 | Photocell | Automatically trigger ON when dusk, trigger OFF when dawn |
| 2~5 | Countdown 8H/6H/4H/2H | Automatically OFF at night when 8 hours/6 hours/4 hours/2 hours later |
| 6 | ON | Power ON the outlet device |

| | | |
|-------------|-----------------------|--|
| 7 | Button | Press to transfer the receiver's different functions |
| 8 | Photocell probe | Detect the illumination automatically |
| 9 | Outlet indicate light | The indicate light ON when the outlet is plugged-in |
| 10 | Power ON | Press to remote control the receiver's outlet ON |
| 11,14,13,15 | Countdown 2H/4H/6H/8H | Press to remote control the receiver at night to be OFF when 2 hours/4 hours/6 hours/8 hours later, which repeat daily . |
| 12 | Photocell | Press to remote control the receiver to be trigger ON when dusk, trigger OFF when dawn |
| 16 | Power OFF | Press to remote control the receiver to power OFF |
| 17 | Indicate light | Indicate light ON when press any transmitter's button |

C. Pairing instruction

1. Plug-in the receiver to the socket, outlet indicate light(No.9) starts flashing, it's ok to do the pairing;
2. Press ON/OFF button on the transmitter, outlet indicate light(No.9) stop flashing, pairing success.
3. If you want the receiver, which already pair to one transmitter, to pair another new or more transmitter, plug-in this receiver, long press manual button(No.7) more than 3 seconds, ready to pairing when outlet indicate light(No.9) starts flashing, this moment press the ON/OFF of another new transmitter, pairing success when outlet indicate light(No.9) stop flashing.
4. If outlet indicate light(No.9) keep flashing more than 10 seconds, but still don't pair successfully, outlet indicate light(No.9) OFF, exit the pairing mold.

Remark:

- When use this product first time, in order to avoid two or more receivers connecting to the same transmitter, do not plug-in two or more receivers at the same time;
- Make sure there's not shelter above the receiver, which will interfere the signal transmission and photocell function.
- For outdoor use.
- Do not use with any appliance, which exceeds the capacity of the Timer.
- Always ensure that the plug of any appliance is fully inserted into the Timer.
- Unplug before program setting.
- If you need to clean the Timer, remove from the mains and wipe with a dry cloth. Do not immerse in water or any liquid.
- Fan heaters and heaters with exposed elements should not be left unattended, and it is recommended that this type of appliances are not to be connected to timers.
- Keep away from children.

D. Deleting code

When the receiver is under working, long press manual button(No.7) more than 3 seconds, outlet indicate light(No.9) starts flashing, this moment short press manual button(No.7), outlet indicate light(No.9) stop flashing, deleting all the code successfully. If you need to pair, pls go back to Step C.

E. Function illustration

1. When receiver receives the transmitter's ON signal, outlet device ON, both outlet indicate light (No.9) and button No.6 ON; When receiver receive the transmitter OFF signal, outlet device OFF, both outlet indicate light (No.9) and button No.6 ON.
2. When receiver receives the transmitter's countdown signal **at dusk**, outlet device ON immediately, both matching countdown LED light No.11/14/13/15 and outlet indicate light (No.9)ON; when countdown run out **at dusk**, outlet device OFF, both matching countdown LED light No.11/14/13/15 and outlet indicate light (No.9) OFF, **countdown function will stop working at day time, but repeat working at night daily**.
3. When receiver receives the transmitter's photocell signal, photocell indicate light(No.1) ON ; If the circumstance is light (above 8Lux-45 Lux), the outlet device OFF; If the circumstance is dark(under 8Lux-45Lux) , both the outlet device and outlet indicate light (No.9) ON.

F.Specifications

125VAC /60HZ 1/2HP

15A Resistance 1250W tungsten

433.92MHz DC3V

Receiver operation temperature : -20 - 45°C

Transmitter operation temperature: 0-40°C

G. FCC Compliance Statement:

This device complies with Part 15 of the FCC Rules. Operation is subject to the following two conditions: (1) this device may not cause harmful interference, and (2) this device must accept any interference received, including interference that may cause undesired operation.

This equipment has been tested and found to comply with the limits for a Class B digital device, pursuant to Part 15 of the FCC Rules. These limits are designed to provide reasonable protection against harmful interference in a residential installation. This equipment generates, uses and can radiate radio frequency energy and, if not installed and used in accordance with the instructions, may cause harmful interference to radio communications.

However, there is no guarantee that interference will not occur in a particular installation. If this equipment does cause harmful interference to radio or television reception, which can be determined by turning the equipment off and on, the user is encouraged to try to correct the interference by one or more of the following measures:

- Reorient or relocate the receiving antenna.
- Increase the separation between the equipment and receiver.
- Connect the equipment into an outlet on a circuit different from that to which the receiver is connected.
- Consult the dealer or an experienced radio/TV technician for help.

Warning: Changes or modifications to this unit not expressly approved by the manufacturer could void the user's authority to operate the equipment.

H. RF Radiation Exposure Statement:

This equipment complies with FCC radiation exposure limits set forth for an uncontrolled environment. This equipment should be installed and operated with a minimum distance of 20cm between the radiator and your body. The device must not be co-located or operating in conjunction with any other antenna or transmitter.

I. Industry Canada (IC) Compliance Statement:

This device complies with Industry Canada license-exempt RSS standard(s). Operation is subject to the following two conditions:

- (1) This device may not cause interference, and
- (2) This device must accept any interference, including interference that may cause undesired operation of the device.

This equipment complies with IC RSS-102 radiation exposure limits set forth for an uncontrolled environment. This equipment should be installed and operated with minimum distance 20cm between the radiator and your body.

Le présent appareil est conforme aux CNR d'Industrie Canada applicables aux appareils radio exempts de licence. L'exploitation est autorisée aux deux conditions suivantes:

- (1) l'appareil ne doit pas produire de brouillage, et
- (2) l'utilisateur de l'appareil doit accepter tout brouillage radioélectrique subi, même si le brouillage est susceptible d'en compromettre le fonctionnement.

Cet équipement est conforme aux limites d'exposition aux radiations IC CNR-102 établies pour un environnement non contrôlé. Cet

équipement doit être installé et utilisé avec une distance minimale de 20 cm entre le radiateur et votre

corps.